

Finoris

Single lever bath mixer for exposed installation

Surfaces: **Matt Black** Article Number: **76420670**



Description

product features

- 2 functions
- projection 194 mm
- connection type: s-shaped connections
- centre distance: 150 ± 12 mm
- spray type mixer: normal spray
- maximum flow rate at 3 bar: 19 l/min
- flow rate for bath spout at 3 bar: 19 l/min
- flow rate of hand shower at 3 bar: 14,7 l/min
- min. operating pressure: 1 bar
- max. operating pressure: 10 bar
- ceramic cartridge
- pressure diverter Select with automatic resetting
- intrinsically safe against backflow
- with silencer
- suitable for continuous flow water heaters
- connection dimension: DN15

Technology



Design awards

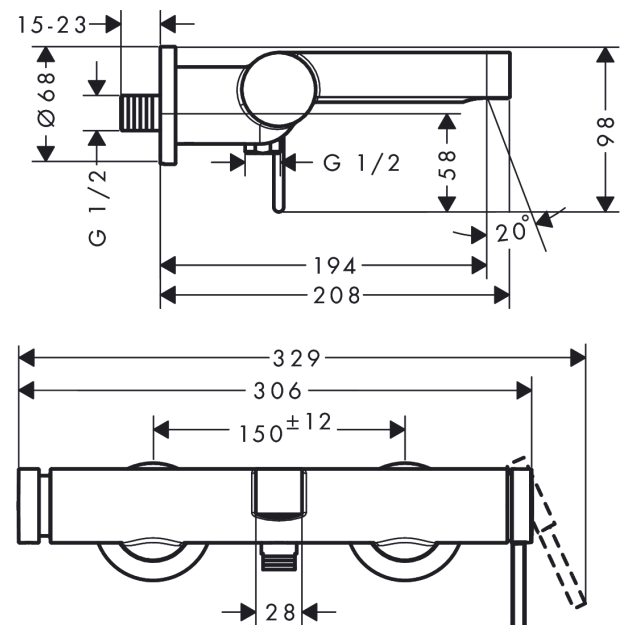


reddot winner 2021

Product image



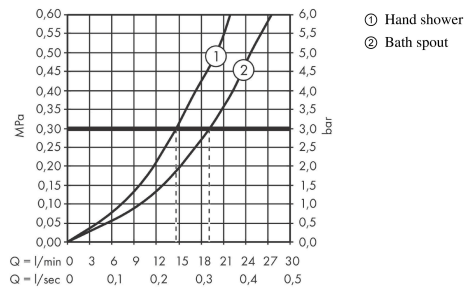
Scale drawing



Finoris
Single lever bath mixer for exposed installation
 Surfaces: **Matt Black** Article Number: **76420670**



Flowchart

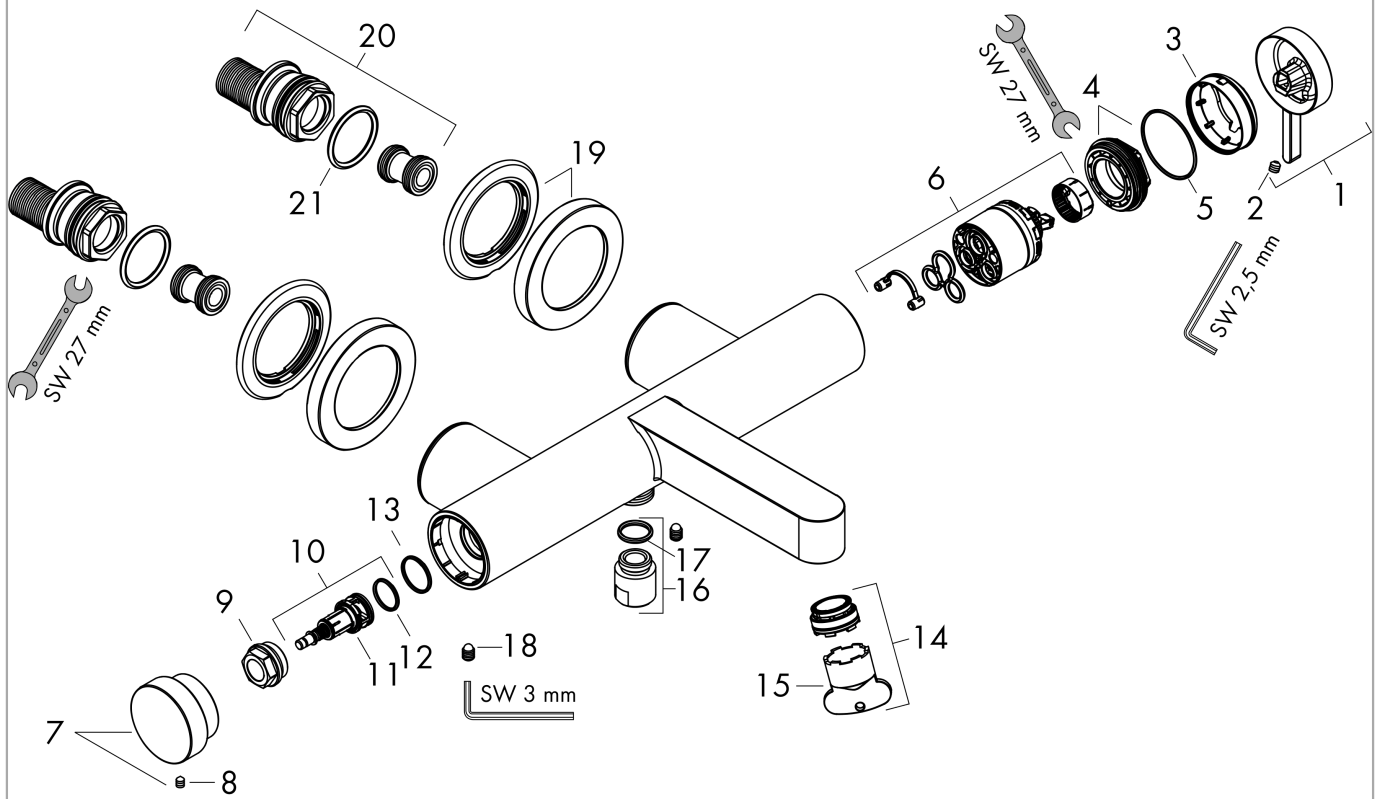


Finoris
Single lever bath mixer for exposed installation
 Surfaces: **Matt Black** Article Number: **76420670**



Exploded Drawing

Year of production: >06/21



Finoris**Single lever bath mixer for exposed installation**Surfaces: **Matt Black** Article Number: **76420670****Spare part list**

Year of production: >06/21

Pos.	Description	Article Number	Price	PU
1	handle	94371670	-	1
2	hollow set screw M5x5	98446000	-	1
3	flange	94370670	-	1
4	nut	93995000	-	1
5	O-ring 35x1,5	92114000	-	1
6	cartridge, assy	93895000	-	1
7	pushbutton	94369670	-	1
8	hollow set screw M4x6	97767000	-	1
9	nut	94367000	-	1
10	selector assy	94368000	-	1
11	O-ring 12x1,5	98430000	-	1
12	O-ring 15x1,5	92118000	-	1
13	O-ring 17x1,5	98137000	-	1
14	aerator M24x1 (30 l/min)	98998000	-	1
15	special tool	95290000	-	1
16	connecting thread	95392000	-	1
17	O-ring 14x2	98129000	-	1
18	screw	94366000	-	1
19	escutcheon Ø 70 mm	94365670	-	1
20	set of S-unions	95772000	-	1
21	O-ring 29x3	98371000	-	1